

# Miniature Toggle Switches

2

## Specifications:

Contact rating:	250 V AC, 3 A / 125 V AC, 6 A 30 V DC, 4 A / 12 V DC, 5 A 6 V DC, 6 A
Contact resistance:	< 20 mΩ
Insulation resistance:	> 1000 MΩ at 500 V DC
Dielectric strength:	1500 V, 50 Hz for the duration of 1 minute
Operating temperature:	- 45 °C to +140 °C
Mechanical life:	minimum 300 000 operations
Contacts:	coin silver (common contact copper alloy, silver-plated) also available gold-plated, version B and G, see page 4
Terminals:	solder tags, copper alloy silver-plated further terminal versions see page 8
Material:	case: diallyle-phthalate, meets UL 94 V-0, black lever: chromium-plated, metal parts: nickel-plated
Mounting:	bushing M 6 x 0.75 with locking plate, key 9 mm
Soldering conditions:	hand-soldering – max.: 60 W, 3 sec, 420 °C wave-soldering – max.: 5 sec, 270 °C

## Accessories:

Knurled nut, nickel-plated

M 6 x 0,75, Ø 8 mm      R 675



Waterproof sealing caps (height 14.3 mm)

black                      ET 102  
red                         ET 109



Waterproof sealing cap with mounting screw

UL recognized components on request.



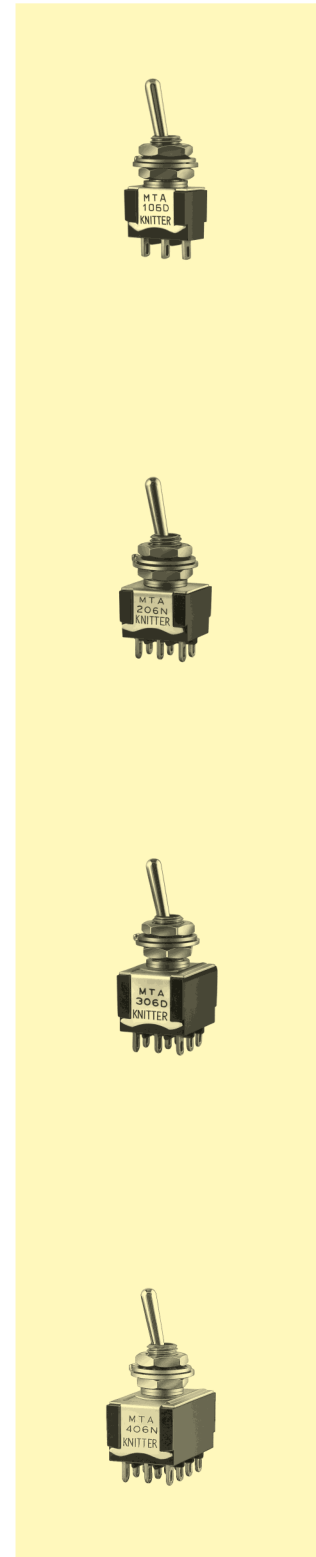
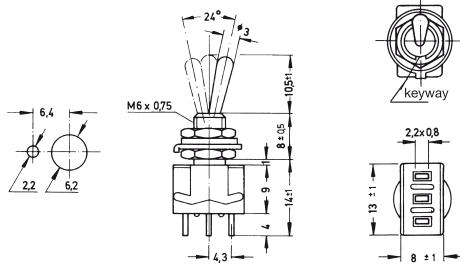
# Miniature Toggle Switches

**Models:**      Switching functions

**SPDT**



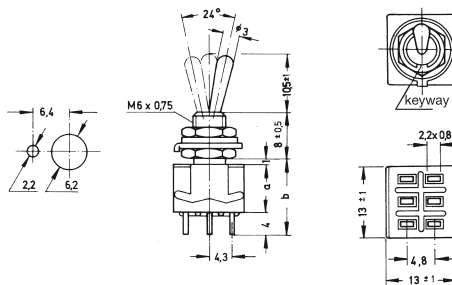
MTA 106 D	on	-	on
MTA 106 E	on	off	on
MTA 106 F	mom	-	on
MTA 106 G	mom	off	mom
MTA 106 H	mom	off	on



**DPDT**

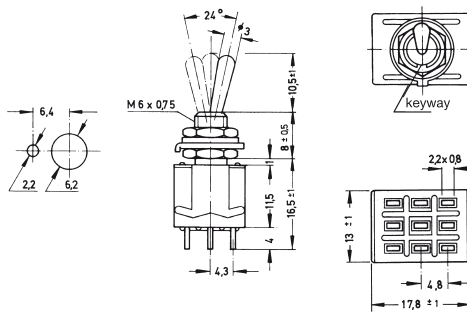
MTA 206 N	on	-	on
MTA 206 P	on	off	on
MTA 206 R	mom	-	on
MTA 206 S	mom	off	mom
MTA 206 T	mom	off	on
MTA 206 PA	on	on	on
MTA 206 SA	mom	on	mom
MTA 206 TA	mom	on	on

measures: a = 9, b = 14 ± 1



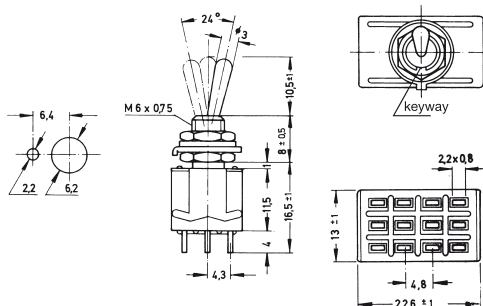
**3PDT**

MTA 306 D	on	-	on
MTA 306 E	on	off	on
MTA 306 F	mom	-	on
MTA 306 G	mom	off	mom
MTA 306 H	mom	off	on
MTA 306 EA	on	on	on



**4PDT**

MTA 406 N	on	-	on
MTA 406 P	on	off	on
MTA 406 R	mom	-	on
MTA 406 S	mom	off	mom
MTA 406 T	mom	off	on
MTA 406 PA	on	on	on
MTA 406 SA	mom	on	mom
MTA 406 TA	mom	on	on



UL recognized components on request.